

Illustration - Type - E

3 600 HC9 000
 Issue | 23-04-29
 Stand | Fig. /Abb. 1

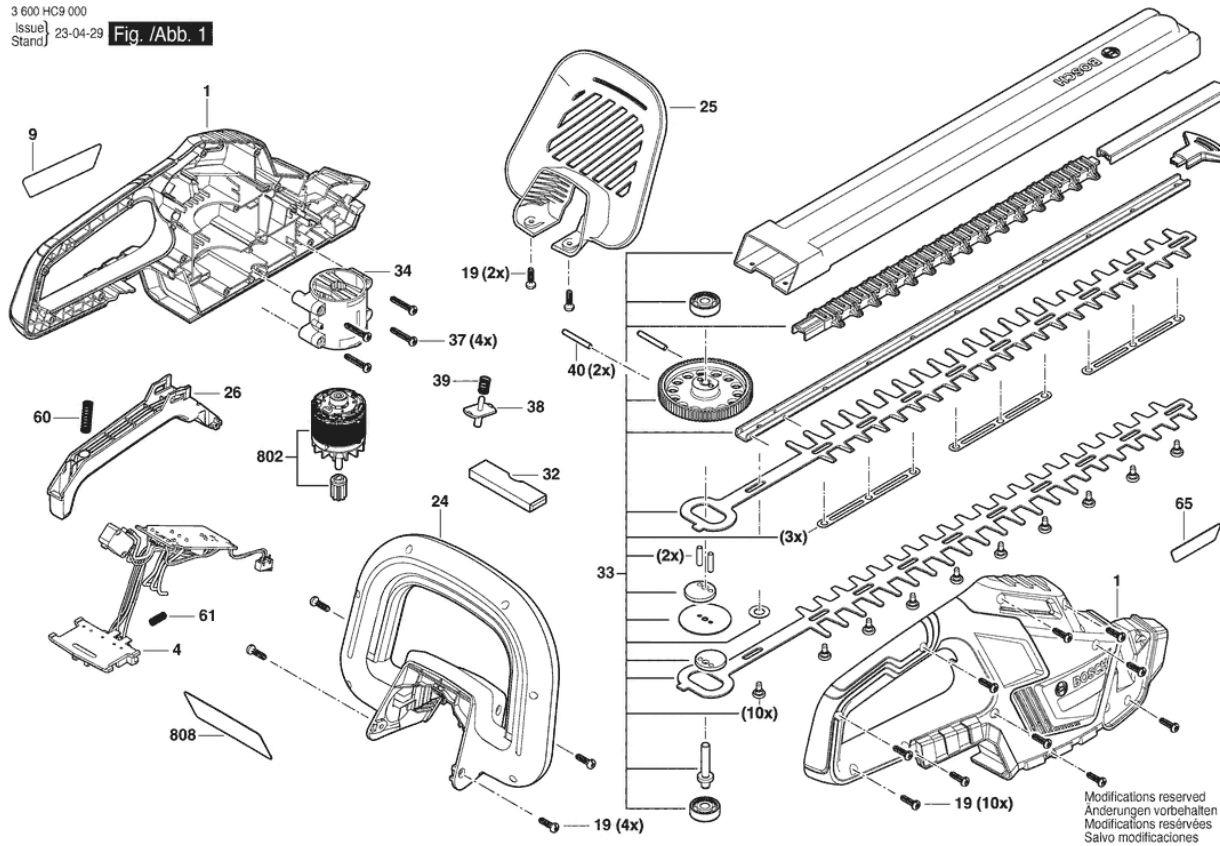
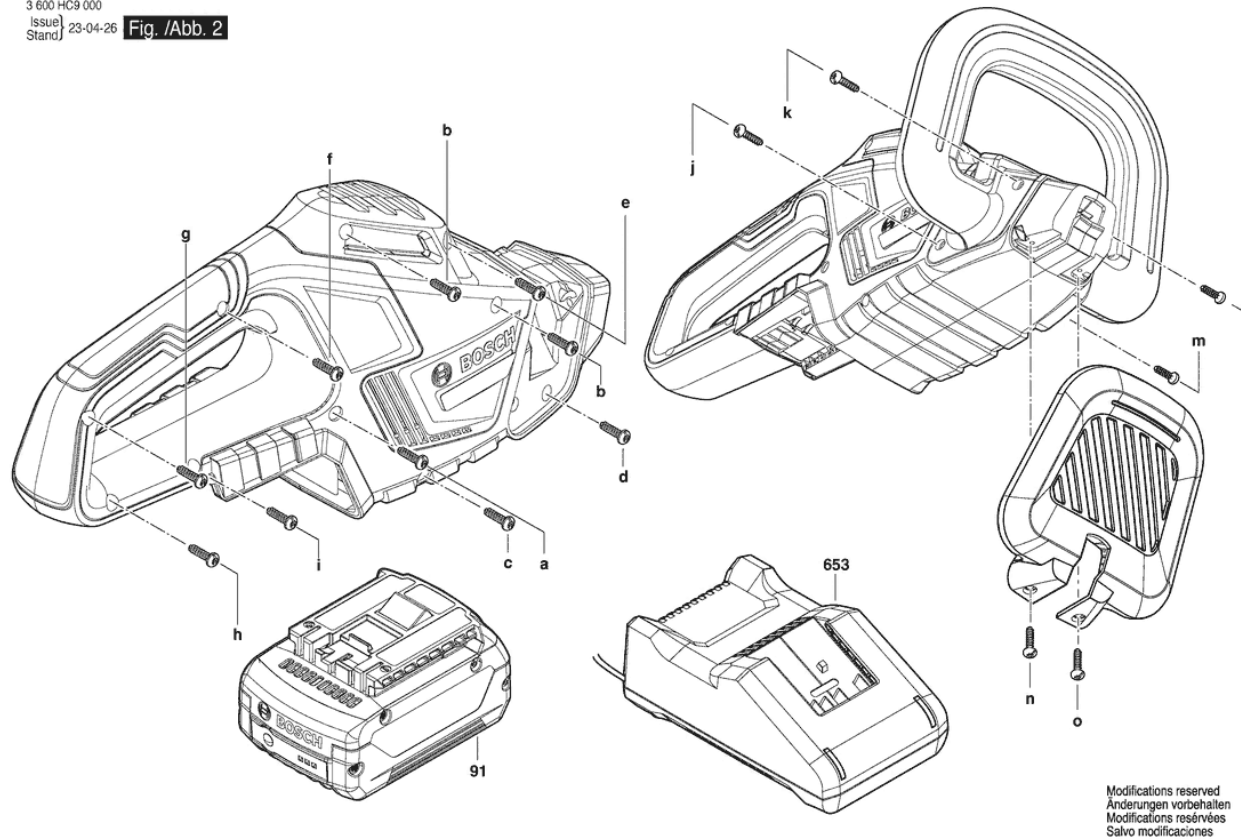


Illustration - Type - E

3 600 HC9 000
Issue | 23-04-26
Stand | Fig. /Abb. 2



Spare parts list

Item	Part Number	Description	Illustration
1	1 605 108 2SS	Housing Section	1
4	1 600 A02 ER7	Electronic Module	1
9	1 601 11C 54W	Manufacturer's nameplate	1
19	2 603 490 022	Screw 4X16	1
24	1 605 132 196	Handle	1
25	1 600 A02 18V	Protective Shield	1
26	1 600 A02 52E	Switch Segment	1
32	1 600 A00 750	Support	1
33	1 600 A02 ESO	Set of knives	1
34	1 605 108 2MX	Housing Section	1
37	2 603 490 024	Torx Oval-Head Screw 4X25	1
38	1 600 A02 1SN	Switching Element	1
39	1 604 612 04K	Compression Spring	1
40	2 609 002 714	Straight Pin	1
60	2 604 610 028	Compression Spring	1
61	1 609 280 477	Compression Spring	1
65	1 600 A02 K9P	Warning Label	1
802	1 607 000 E8A	DC motor	1
808	1 601 11A 9JA	Nameplate	1
91	1 607 A35 0M0	Battery Pack GBA 18V 4.0AH	2
653	2 607 226 251	Fast Charger	2